

---

*Comfort-Cire*®

**Century**®

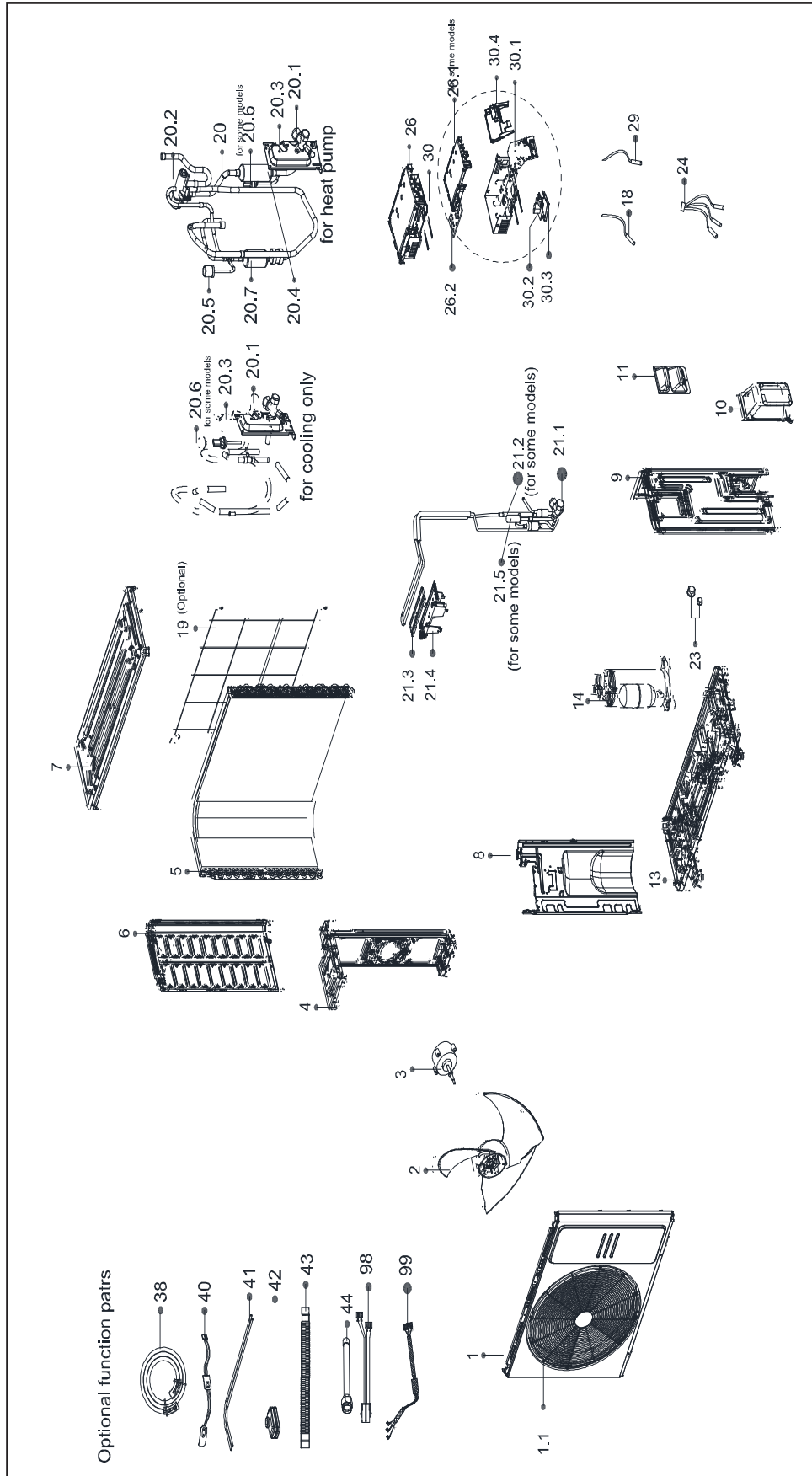
---

PARTS LIST

**Inverter Single Zone  
Outdoor Ductless Mini-Split**

A-VCD18SA-1

# EXPLODED VIEW



## REPLACEMENT PARTS

Location	Part Name	Quantity	Part No.
1	Front panel assembly	1	12222000013468
1.1	Air outlet grille	1	12222000013469
2	axial flow fan	1	12100105000841
3	Motor	1	11002015000366
4	Motor bracket	1	12222000012371
5	Condenser assembly	1	15822000009796
6	Left supporter	1	12222000013472
7	Top cover	1	12222000013465
8	Partition board	1	12222000013245
9	right side plate	1	12222000013466
10	Water collector	1	12122000007150
11	handle	1	12222000010966
13	Chassis assembly	1	12222000014054
14	compressor	1	11103020004360
18	Pipe temperature sensor	1	11201007000124
19	Rear Grille	1	12222000013085
20	4-ways valve or Gas valve assembly	1	15422000021635
20.1	Gas valve	1	15500204000502
20.2	4-way valve	1	15500216000026
20.3	Valve plate	1	12222200005738
20.4	Muffler assembly	1	15122000028801
20.5	Pressure switch	1	17400516000849
20.6	pressure sensor	1	11201008000773
20.7	Muffler assembly	1	15122000028753
21	High pressure valve assembly	1	15422000020460
21.1	High pressure valve	1	15500204000021
21.3	Radiator	1	11203803001176
21.4	U-Typed Support with Copper Pipe	1	12122000011478
21.5	Electronic expansion valve	1	15500213000176
23	Copper nut	1	15500406000010
23	Copper nut	1	15500406000003
24	combination sensor	1	11201011000188
26	Electronic control box subassembly	1	17222000037855
26.1	Electronic installing box	1	12122000008999
29	Pipe temperature sensor	1	11201007003445
30	Inverter module box subassembly	1	17222000037856
30.1	Electronic control box terminal board assembly	1	17222000031639
30.2	Inverter module subassembly	1	17122000055944
30.3	Electronic installing box	1	12122000029482
30.4	Cover of electronic control box subassembly	1	12122000029483
33	Outdoor unit trademark	1	16000201001228
38	Connection pipe assembly	1	15111600A00285
40	Crankcase electric heater	1	17402001000603
41	Electric heater of chassis	1	17402002000544
44	evaporator connecting pipe subassembly	1	15123000013007
44	evaporator connecting pipe subassembly	1	15123000012948
99	compressor connection cable	1	17401203012697

---

Due to ongoing product improvements, specifications and dimensions are subject to change and correction without notice or incurring obligations. Determining the application and suitability for use of any product is the responsibility of the installer. Additionally, the installer is responsible for verifying dimensional data on the actual product prior to beginning any installation preparations.

Incentive and rebate programs have precise requirements as to product performance and certification. All products meet applicable regulations in effect on date of manufacture; however, certifications are not necessarily granted for the life of a product. Therefore, it is the responsibility of the applicant to determine whether a specific model qualifies for these incentive/rebate programs.

*Comfort-Aire*® **Century**®

1900 Wellworth Ave., Jackson, MI 49203 • Ph. 517-787-2100 • [www.marsdelivers.com](http://www.marsdelivers.com)

